



## FEATURES

- +/- 1 % full-scale accuracy
- All PFA/PTFE wetted part construction
- No-oring seals or fill fluids
- Choice of end fitting: Flare, Pillar, 20S, MNPT, or Tube

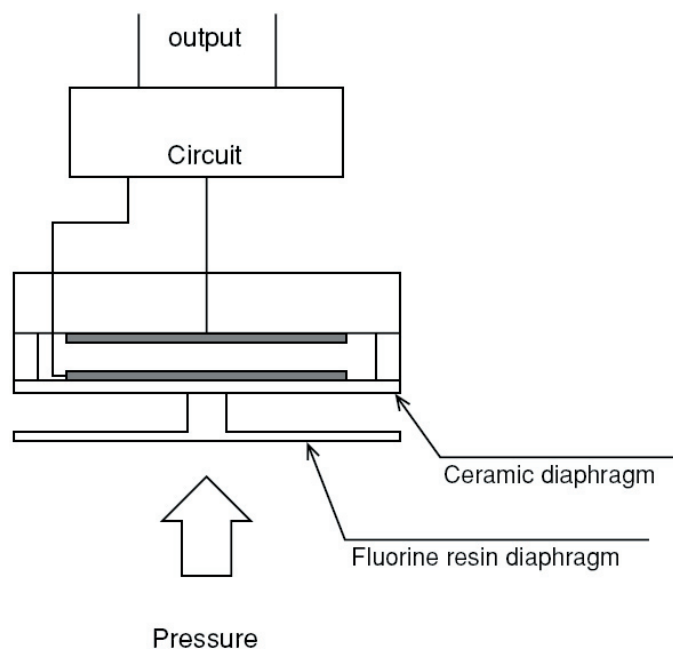
## APPLICATIONS

- High-purity DI water, slurry, and aggressive chemical monitoring
- Filtration condition monitoring
- General pressure monitoring

The KL-92 is a pressure transducer suitable for use in monitoring pressure of various high-purity and corrosive/ aggressive fluids. The superior design provides for minimal “dead volume” which reduces the potential for contamination of the measured fluid / process. The KL-92 is available in two construction types: inline or insertion. The body construction meets IP-54 requirements.

## SENSOR CONSTRUCTION

The o-ring free design minimizes the generation of containment and the elution of metal, which makes it suitable for pressure monitoring in the semiconductor industry. All wetted parts are made of fluoropolymers ( PFA, PTFE ). The sensor is IP-54 rated to meet the application requirement for semiconductor’s wet environments.

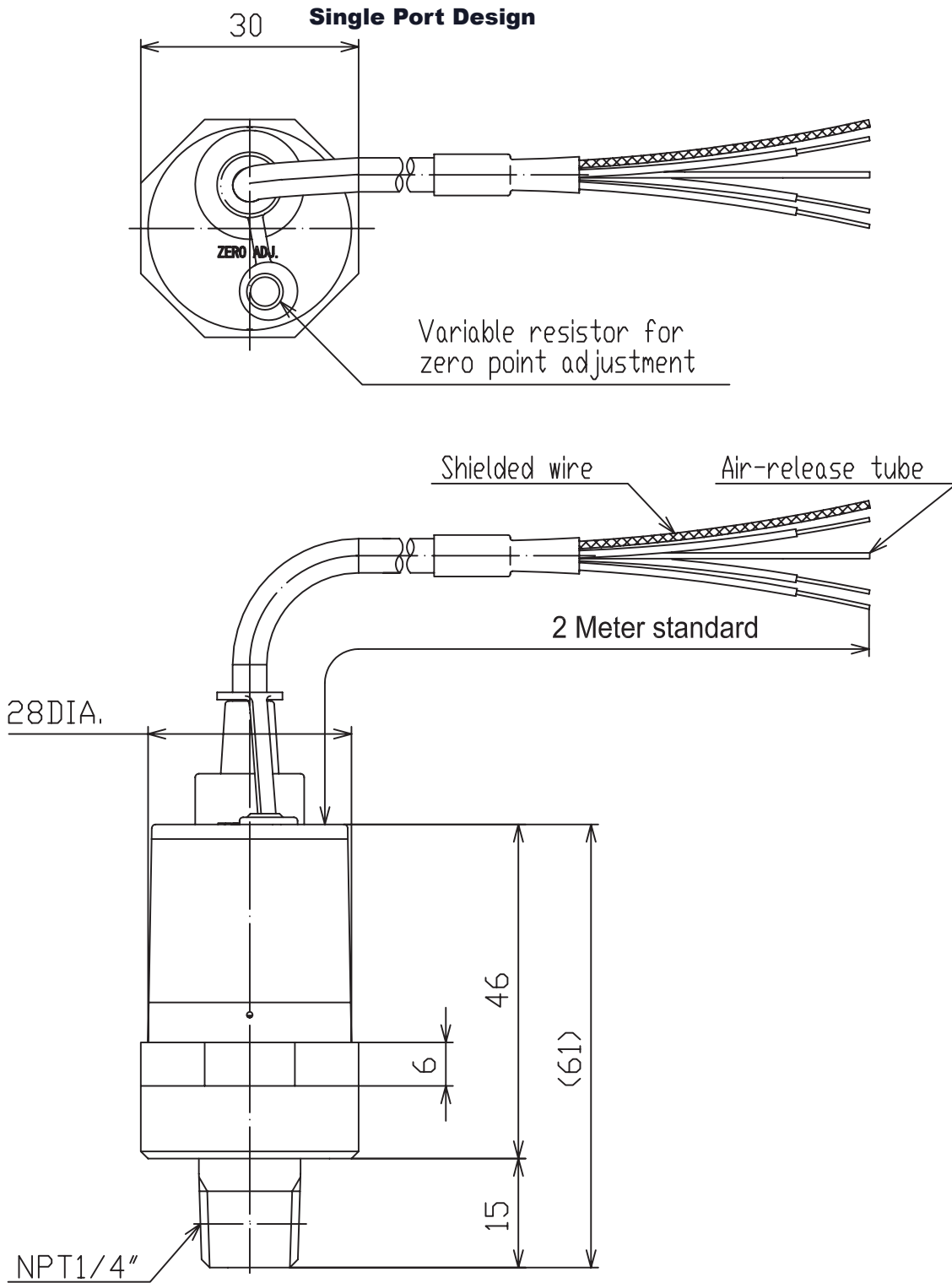


**SPECIFICATIONS**

Material of wetted parts		PFA / PTFE
Pressure range		0 to 50 psi, 0 to 75 psi
Allowable maximum pressure		120 psi
Temperature coefficient		+/- 0.05 % F.S. / deg. C
Power and supply current		12-24 VDC * +/-10% ( 30 mA DC max. )
Analog output	Voltage output	0 to 10, 0 to 5, 1 to 5 VDC
	Current output	4 to 20 mA ( 500 ohm max at 24 VDC )
	Output accuracy	+/- 1 % F.S.
	Response time	Within 5 ms
Connection types		Flaretek, Super Pillar 300, Tube ends, MNPT
Connection sizes		1/4", 3/8", 1/2", 3/4"
Operating fluid temperature range		10 to 80 deg. C
Operating humidity range		35 to 85 % RH ( non-condensing )
Protection		IP-54 ( Splash Proof )
Cable length		2 m
Weight		140 g ( with cable)

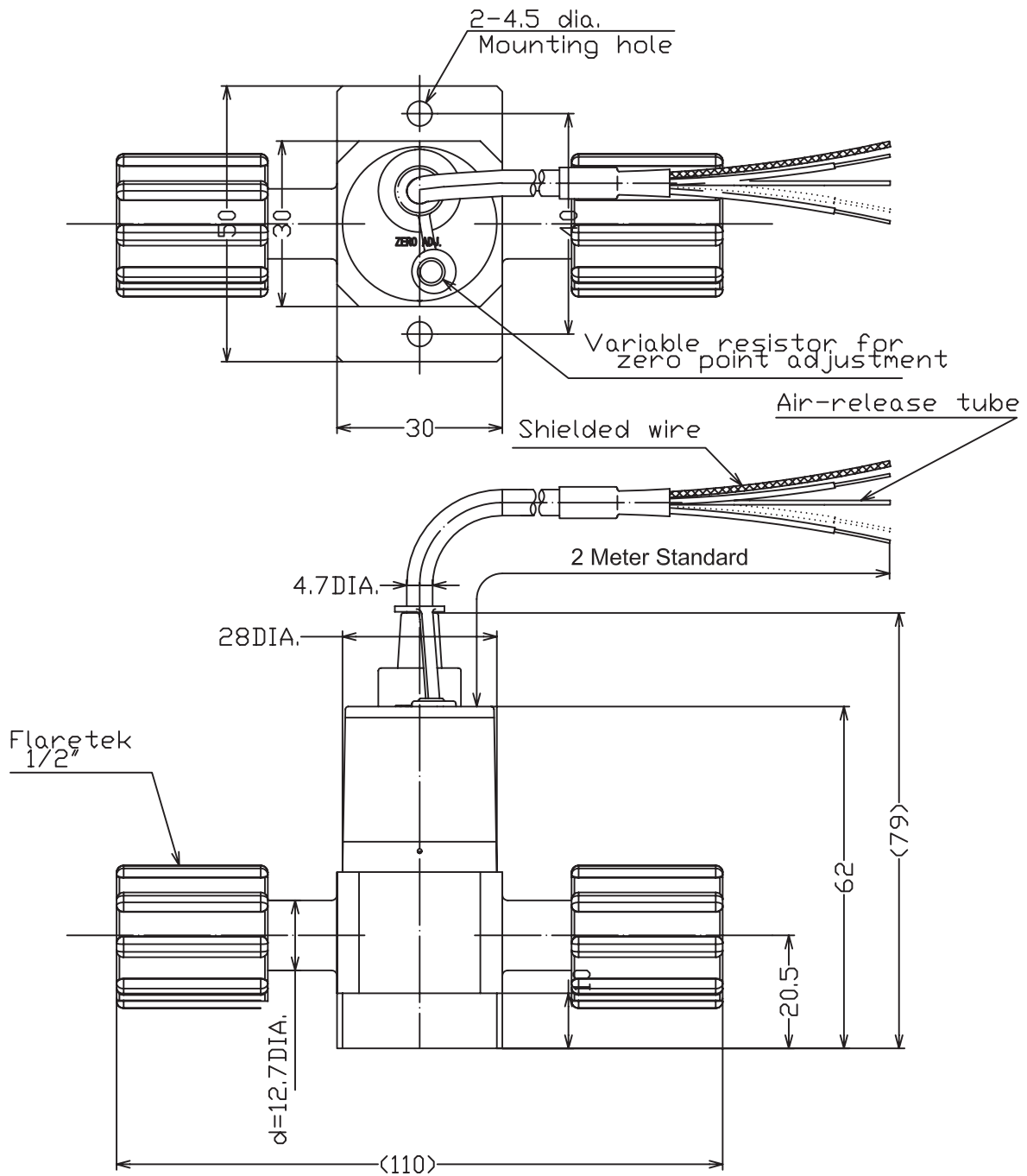
\* 24 VDC +/- 10 % power supply required for 0 to 10 VDC / 4 to 20 mA outputs

**DIMENSIONAL DRAWINGS**



**DIMENSIONAL DRAWINGS**

**In-line Design**



**ORDERING INFORMATION**

Model Code										Description			
KL92	-	M				-		-			Pressure Transmitter		
	-												
		M											
Connection Type			1								Inline		
			2								Single Port		
			0								Flaretek (Female)		
			1								Tube		
			2								Pillar S300 (Female)		
			3	* Inline type only.								Pillar S300 (Male Screw)	
			4								20S (Female)		
			5	* Single port (1/4",3/8") type only.								MNPT	
		6								Flaretek (Male)			
Size			1								1/4"		
			2								3/8"		
			3								1/2"		
			4	* Inline type only.								3/4"	
			5										
			6										
Input / Output													
				1				24 VDC				0 ~ 10 VDC	
				2				24 VDC				4 ~ 20 mA	
				3				12 ~ 24 VDC				1 ~ 5 VDC	
			4				12 ~ 24 VDC				0 ~ 5 VDC		
Pressure Range										50	0 ~ 50 psi		
										75	0 ~ 75 psi		
Cable										1	Shielded Cable / 2m		
										2	Turck Cable / 1.2m		

**KL92 Available Combination**

Installation Type			Inline Type				Single Type			
Port DIA			1/4	3/8	1/2	3/4	1/4	3/8	1/2	3/4
Fittings			5/32	1/4	3/8	5/8	5/32	1/4	3/8	5/8
Flaretek	F	PTFE	○	○	○	○	○	○	○	-
Tube	-	PTFE	○	○	○	○	○	○	○	-
Pillar S300	F	PTFE	○	○	○	○	○	○	○	-
Pillar S300	M	PFA	○	○	○	○	-	-	-	-
S20	F	PTFE	○	○	○	○	○	○	○	-
MNPT	M	PFA	-	-	-	-	○	○	-	-
Flaretek	M	PFA	○	○	○	○	-	-	-	-

NB:- M is Male, F is Female (Nut Type)

- Male fittings are welded.

(Sizes are the same as KL95.)

- Tube stub or MNPT are machine drilled cut.

- For MNPT Single Port Stem Type, 1/4" and 3/8" are the MNPT thread sizes.