

Mini-Wheel Flow Meter



MW-850 Series

All PFA molded Mini-Wheel Flowmeter with In-line Flow

Features

- Wide flow rangeability
- Open collector pulse output (unscaled pulse)
- Small footprint
- High Purity
- Eliminates introduction of Metallic ions.

MW-850 series high purity mini-wheel flowmeter is a paddlewheel type flowmeter for liquid flow measurement. This flowmeter can be used for various kinds of fluids. An advanced optical sensing system is used for detection of wheel rotation. All wetted parts are PFA, PTFE, Sapphire and Chemraz; ensuring the elimination of metallic ions. Tube end connections offer better scaling capability. This flowmeter is ideal for measurement of ultrapure water and different chemistries in semi-conductor production plants. The MW-850 replaces the MW-820 series.

Standard Specifications

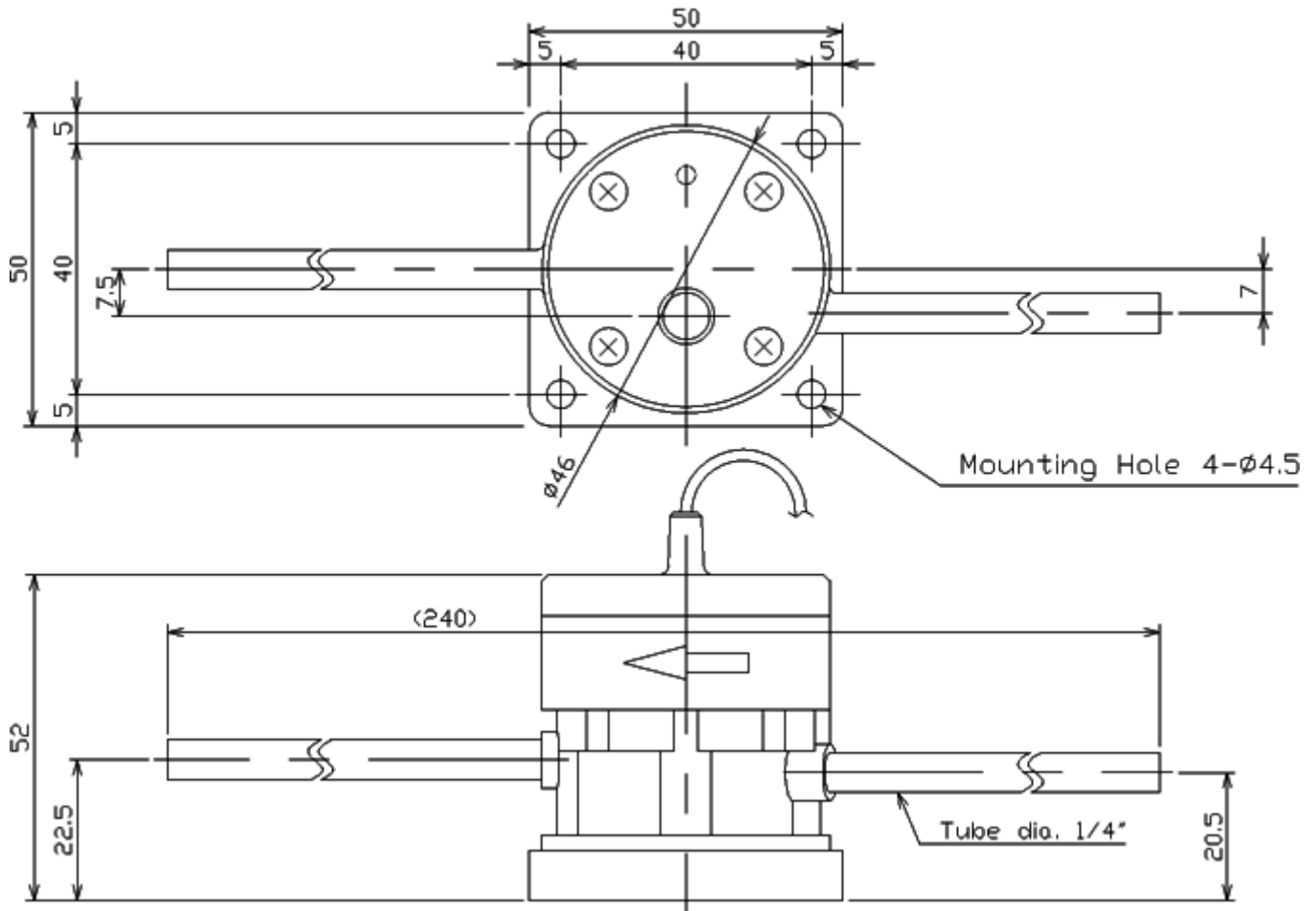
Connection Sizes	1/4", 3/8" (Tube O.D.)
Measuring Fluids	Liquid (Transparent)
Measuring Ranges (for Water)	10 to 100 ccm (1/4")
	20 to 200 ccm (1/4")
	50 to 500 ccm (1/4")
	100 to 1000 ccm (1/4")
	125 to 1250 ccm (1/4")
	250 to 2500 ccm (3/8")
	400 to 4000 ccm (3/8")
	500 to 5000 ccm (3/8")
Rangeability	10:1

Maximum Operating Pressure	45 psig
Maximum Burst Pressure	75 psig
Maximum Operating Temperature	85 C (185 F)
Process Connection Standard	Tube ends
Flow Rate Detection	Pulse frequency generated from optical sensing of wheel rotations
Output	Open collector pulse (unscaled pulse)
Pulse Output Accuracy	+/- 5% F.S.
Power Supply	12 to 24 VDC
Electrical Connection	2m cable

Note: MW-850 series are used together with scaling display meters with pulse input, we recommend Malema's MRR-841 display to be used with this product.

MW-850 Series

Dimensional Drawing for 1/4" OD



(sizes in mm)

MW-850 Series

Standard Material

Part	Material
Main Body (flow path)	PFA
Fitting	PFA
Wheel	PTFE
Shaft & Bearings	Sapphire
Top Cover	Polypropylene
Base	Polypropylene
O-rings	Chemraz
Screws	Polycarbonate
Cable	PVC
Bushing	NBR

Applications

- Display
- Alarm
- Analog output

To use the above functions we recommend Malema's MRR-841 display.



Ordering Information

MW-85		-		-		Description
Scale Range	0B					10 to 100 ml/min (Connection size 1/4" Tube OD)
	1					20 to 200 ml/min (Connection size 1/4" Tube OD)
	2					50 to 500 ml/min (Connection size 1/4" Tube OD)
	3B					100 to 1000 ml/min (Connection size 1/4" Tube OD)
	3					125 to 1250 ml/min (Connection size 1/4" Tube OD)
	4					250 to 2500 ml/min (Connection size 3/8" Tube OD)
	5B					400 to 4000 ml/min (Connection size 3/8" Tube OD)
	5					500 to 5000 ml/min (Connection size 3/8" Tube OD)
		-				
Material		2				PFA / Chemraz
Connection			T			Tube end connection
			Z			Other special connection
				-		
					XXX	Unique numbering from 001 to 999 to accommodate customer requirements