



## M-2600

### FEATURES

- Ultrasonic flowmeter with sensor and electronics integrated in one compact package
- PFA wetted part construction
- Easy alternative replacement for purgometer device
- Wide measuring range with full scale flow range up to 4 L/min
- Standard meter comes with analog voltage/current output, alarm output, and RS485 communication interface
- Standard Re zero feature available unlike other purgometers.

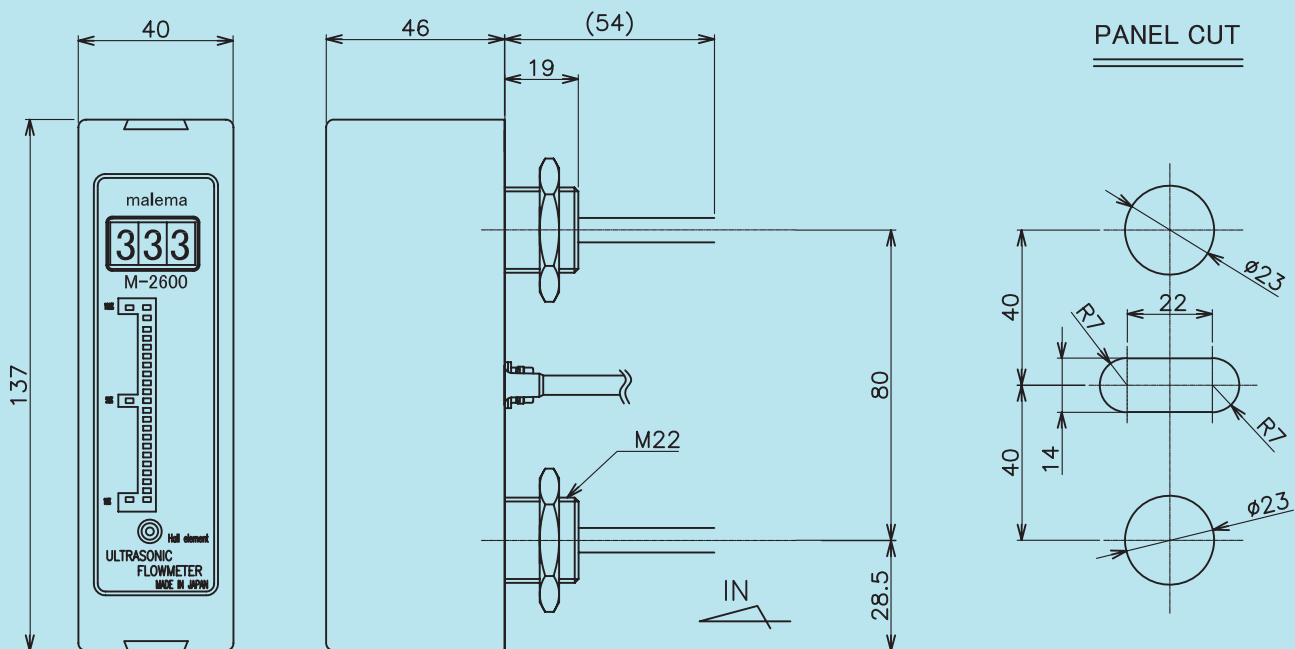
### ELECTRICAL CONNECTIONS

No.	Color	Name	Description
1	Red	Power Supply	24 VDC +
2	Black		24 VDC -
3	White	Analog Out	Analog +
4	Blue		Analog -
5	Green	Alarm Output	Open Collector +
6	Gray		Open Collector -
7	Yellow	Communication ( For Configuration via PC )	RS485 +
8	Brown		RS485 -

## SPECIFICATIONS

Power supply	24 VDC +/-10%
Power consumption	Max 80 mA ( Power on : Rush current 1A )
Measuring range	0 - 800 mL/min to 0 - 4000 mL/min
Low cut off	Default 5% of FS ( Configurable over 0 - 30% of FS )
Accuracy	±1% Flow Speed ≥1m/s 800 ~3000mL/min ±8mL/min Flow Speed <1m/s 0~800mL/min
Applicable Fluid	DIW, Chemical liquids Viscosity : 0.3 to 40 mm <sup>2</sup> /s (Sound velocity of liquid: 500 to 2400 m/s)
Ambient Temperature	10 to + 60 °C ( 50 to 140 °F )
Fluid Temperature	0 to + 60 °C
Fluid Pressure, Max.	0.4 MPa
Analog output	4 to 20 mA ( standard ), 0 to 10, or 1 to 5 VDC
Alarm output	One Open Collector ( Normal Open or Normal Close )
Display	Digital Display, 3 digit ( orange LED, 7 segments ) Bar-graph Display ( green LED, 21 segments )
Parameter configuration	RS485 ( by PC software )
Zero Adjustment	Use a bar magnet (Hall effect switch located on front panel)
Protection	IP - 64
Wetted part	PFA
Cover Material	ABS ( Standard )
Process connection	Ø 1/4" Tube End ( ID = 3.95 mm , OD = 6.0 mm )
Cable length	3 meters
Mass	180 g ( without cable)

## OUTLINE DIMENSIONS



Cable length ( Standard ) is 3 meters

## Ordering Information

Model Code													Description		
M-2600	-												-		
	-														
Tube Material	T														PFA
Tube Size	2														1/4"
Connection	1														Tube Ends
Range Code	04														4 mm ID tube (4 lpm max)
Converter Model	0														Standard
Analog Output Type	1														0 - 10 VDC
	2														4 - 20 mA
	3														1 - 5 VDC
Valve*	0														Without Valve
	V														With Valve
Cover material	0														ABS
														XXX	Unique PN Identifier

\* This is a future option