

PFA Pressure Relief Valves

M-VF-F Series

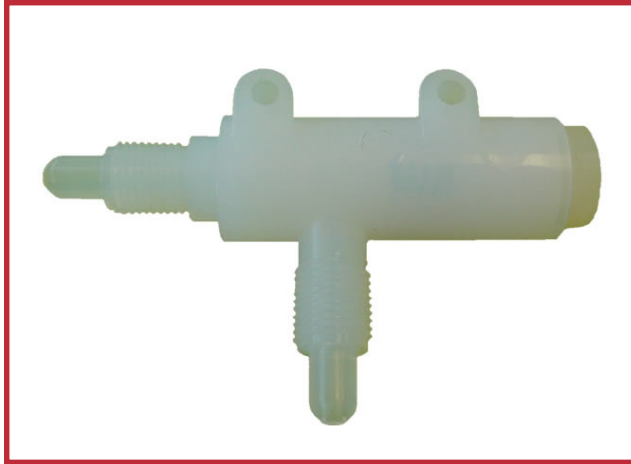
All PFA molded design. Relieves system pressure at preset crack pressure.

Features

- High reliability
- Factory set
- Low pressure drop
- All mechanical
- Right-angle flow
- Flare type connection
- Bubble tight seal

Applications

Special semiconductor equipment relief valve applications.



Operation For Standard Models

As the fluid (liquid or gas) enters the valve and the pressure across the piston exceeds the cracking pressure then, at a preset crack, when the differential pressure exceeds the spring force the piston travels instantaneously over towards the outlet port thereby opening the valve and relieving system flow.

Installation

This valve can be mounted in any orientation.

Flow Range Table

Port Size	Cracking Pressure
1/4" Flare	20 to 90 psi

Standard Specifications

Material	Max. Pressure (psi)	Max. Temperature (C/°F)	Wetted Parts
PFA	200	104/220	Chemraz O-ring (piston active seal) Viton O-ring (end plug static seal) PVDF Piston Fluoraloy T Body, PFA Flare fittings, PTFE coated spring(SS spring)

Calibration Range *

Cracking pressure*

* The product can be set at a cracking pressure in the range of 20 - 90 psi with bubble tight shut off. Consult factory for lower settings.

Specifications

Set Point Accuracy: $\pm 2\%$ maximum
Repeatability: $\pm 1\%$

Material Versions

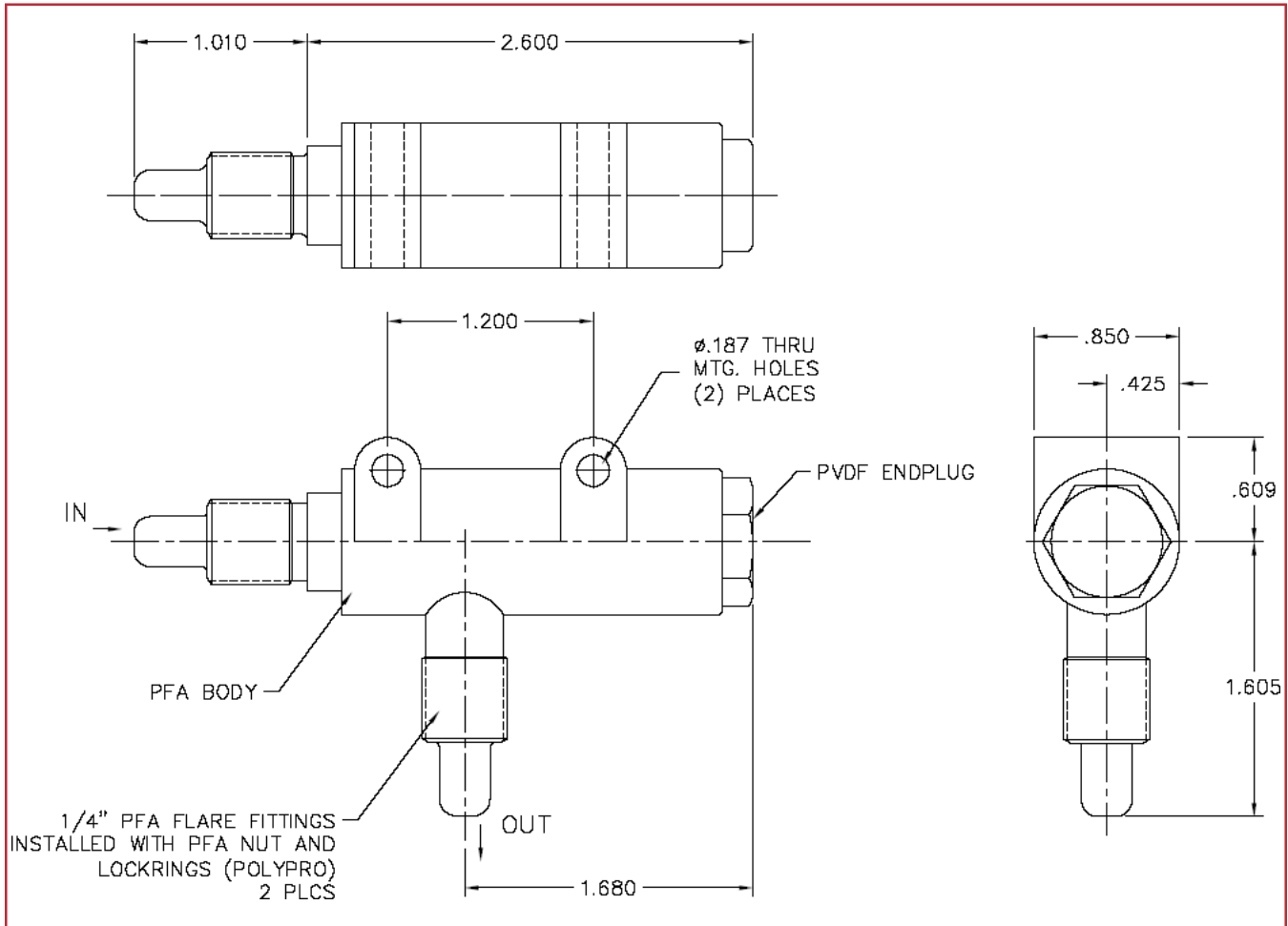
PFA

Port Sizes

1/4" Flare fittings

M-VF-F Series

Dimensional Drawing



Ordering Information

Standard Part Numbering						Options								
M	-	Model	-	Body Material	Tube Size	Connection	-	Piston	-	Poppet O-ring	Center O-ring	Back O-ring	-	Unique Part Identifier
M	-	VF	-	F	2	1	-	PV	-	2	2	2	-	XXX
		VF		F - PFA	2 - 1/4"	1 - Flare		PV- PVDF		2 - Viton 8 - Chemraz	2 - Viton 8 - Chemraz X - None	2 - Viton 8 - Chemraz		