

# PTFE Pressure Relief Valves

## M-VF-T Series

Relieves system pressure at preset crack pressure.

### Features

- High reliability
- Factory set
- Low pressure drop
- All mechanical
- Right-angle flow
- Flare type connection
- Bubble tight seal

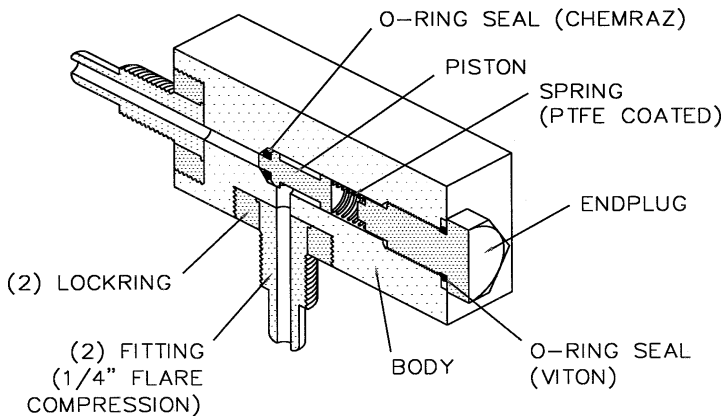
### Applications

Special semiconductor equipment relief valve applications.



### Operation For Standard Models

As the fluid (liquid or gas) enters the valve and the pressure across the piston exceeds the cracking pressure then, at a preset crack, when the differential pressure exceeds the spring force the piston travels instantaneously over towards the outlet port thereby opening the valve and relieving



### Calibration Range \*

Cracking pressure\*

\* The product can be set at a cracking pressure in the range of 20 - 90 psi with bubble tight shut off. Consult factory for lower settings.

### Specifications

Set Point Accuracy:  $\pm 2\%$  maximum  
Repeatability:  $\pm 1\%$

### Material Versions

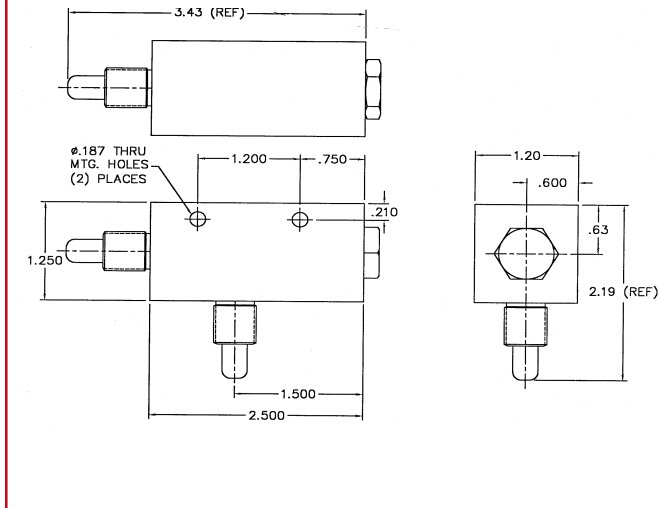
PTFE (Fluoraloy T with PFA fittings)

### Port Sizes

1/4" Flare fittings

# M-VF-T Series

## Dimensional Drawing



## Installation

This valve can be mounted in any orientation.

## Flow Range Table

Port Size	Cracking Pressure
1/4" Flare	20 to 90 psi

## Standard Specifications

Material	Max. Pressure (psi)	Max. Temperature (C/°F)	Wetted Parts
PTFE	200	104/220	Chemraz O-ring (piston active seal) Viton O-ring (end plug static seal) PVDF Piston Fluoraloy T Body, PFA Flare fittings, PTFE coated spring(SS spring)

## Ordering Information

Standard Part Numbering						Options					
M	-	Model	-	Material	Port	Switch	-	Reset*	Piston	Seals	
M	-	VF	-	T	1	1	-	0	0	1	00X
		VF		T - PTFE	1 - 1/4" flare fittings	1 = Positive Shut Off		0 - Standard	0 - Standard (PVDF piston)	0 - Standard (Viton) 1 - Chemraz 3 - PTFE 4 - Silicone 5 - EPDM 6 - Butyl 7 - Nitrile	001 - 36 psi 002 - 60 psi 003 - 90 psi

Kalrez® and Viton® are registered trademarks of DuPont.